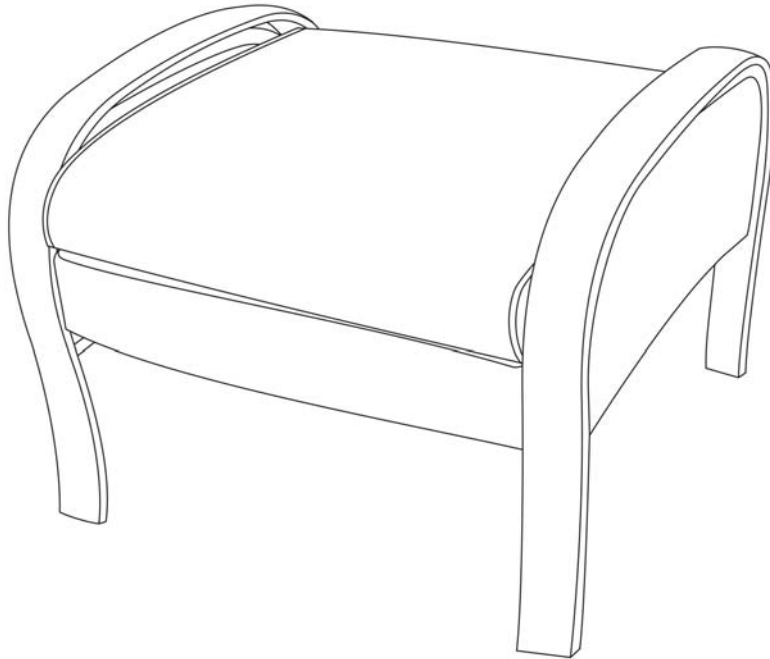




Live life Comfortably.™



OWNER'S MANUAL

Sears Logan Ottoman

Product Code: D71 M 80798

UPC Code: 7-22938-08014-4

Date of Purchase: __ / __ / __

If you have any problems with this product, DO NOT RETURN TO THE STORE.

CALL OUR CUSTOMER SERVICE HOT-LINE AT

1 866-391-4868

8am-5pm (EST), Monday-Thursday

8am-4pm (EST), Friday.

View the expanded assortment of outdoor living product on-line at

www.lazboyoutdoor.com and www.sears.com

La-Z-Boy® is a registered trademark of La-Z-Boy Incorporated and is used under license to BJI, Inc.

© 2013 La-Z-Boy Incorporated.

WARRANTY

In order to activate your warranty please register at www.bjifurniture.com. There you can review our full warranty details and other helpful information. Or, you may call us at 1 866-391-4868, 8am - 5pm (EST), Monday – Thursday, 8am – 4pm(EST), Friday.

Care and Maintenance

Be careful to never allow water to build up in frames as this will cause corrosion and freeze damage in cold climates. Wash all frames with a solution of mild soap and water. Rinse with clean water and dry with a soft absorbent cloth towel. Frames can be treated with a liquid wax for maximum protection against UV rays and/or salty damp air. If your set includes cushions, slings, and/or an umbrella they may be cleaned by hand with a solution of soap and water with a clean water rinse. (Never machine wash cushions, slings or umbrella covers as this will result in shrinkage or damage). After cleaning cushions tip on end and allow to drip dry. (Never use a commercial or home dryer to tumble dry fabric goods).

Do not use bleach or solvents to clean any product! This will void the warranty.

Lack of original receipt will void warranty!



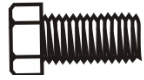


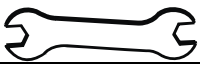

CAUTION: Read all the instructions before assembly.

Failure to do so may result in faulty assembly and potential injury!

Assemble the item on a soft, non-abrasive surface such as a carpet or cardboard to avoid damaging the item. Seek assistance to assemble bulky or heavy items.

After final alignment, make sure all bolts, nuts and nut covers are securely tightened.

PARTS LIST

Item	Part Name	Picture	Qty
A	Leg		2
B	Seat Frame		1
C	M6x15mm Hex Head Bolt		8
D	M6 Washer		8
E	Bolt Cap		8
F	Hex Wrench		1
G	Seat Cushion		1

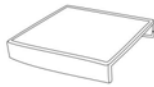
Assembly Steps:

Step1:

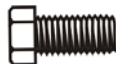
Part# A x 2



Part# B x 1



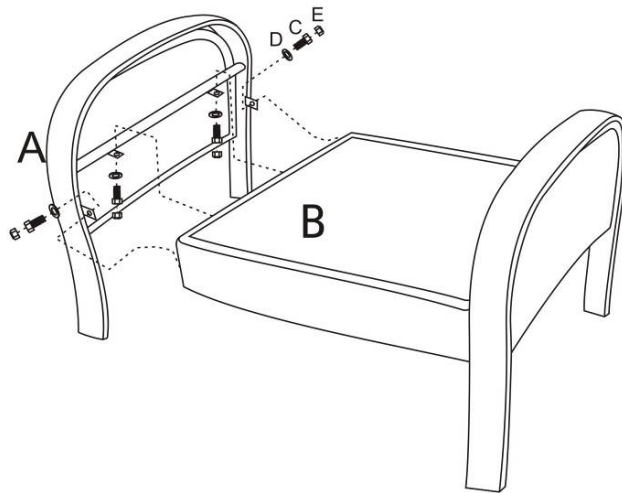
Part# C x 8



Part# D x 8



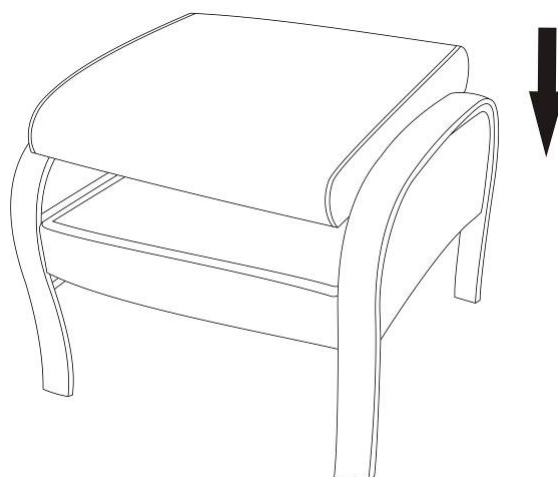
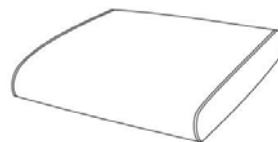
Part# E x 8



NOTE: Once all the bolts are in place tighten completely.

Step2:

Part# G x 1



Now the ottoman is ready for your enjoyment.

