



Kenmore 30-Inch Electric Coil Drop-In Range

22-45582 – White

22-45589 – Black

- 4.2 cu. ft. self-clean oven
- Lift-up porcelain cooktop
- Two 8" @ 2,600W and two 6" @ 1,500W coil elements with porcelain drip pans
- Easy Set™ 335 controls
- Two integrated handle racks
- Sleek looking full glass oven door

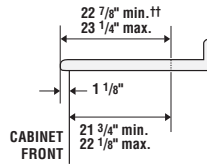
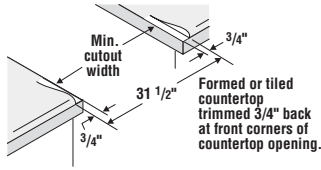
Model	22-45582	22-45589
Overall	White	Black
Console	White	Black
Knobs	White	Black
Door	White	Black
Drawer	White	Black
Handle	White	Black
Surface	White	Black
Pans	Grey	Black

Selection	
White	22-45582
Black	22-45589
Oven Features	
Oven Capacity (cu. ft.)	4.2
Variable Time Self-Cleaning	2-3-4 Hrs.
Electronic Oven Controls	Easy Set™ 335
Oven Control Lockout	•
Temperature Recall	•
Cook & Hold Warm Oven	•
Delay Start	Cook & Clean
Sabbath Mode*	•
Variable Broiling System	Hi / Lo
Total Adjustable Oven Racks	2
Integrated Handle Racks	2
Oven Light	Auto and Manual
Removable Glass Door	•
Window	Large
Oven Interior WxHxD (In.)	24 1/8 x 16 1/2 x 18 1/32
Cooktop Features	
8-in. (Watts)	2 @ 2,600
6-in. (Watts)	2 @ 1,500
Cooktop Surface	Porcelain
Cast Metal Knobs	•
Drip Pans	Porcelain
Lift-up Cooktop	•
Cooktop On Indicator Lights	2
General Features	
Oven Door Handle Material	Metal
Power Rating (kW) @ 240V / 208V	11.6 / 8.7
Bake / Broil @ 240V (Watts or BTU / Hr.)	3,400 / 2,750
Bake / Broil @ 208V (Watts)	2,253 / 2,065
Breaker / Copper Wire Size (240V)†	40 / 8
Shipping Weight (Approx. Lbs.)	215
Accessories	
Backguard	White: 22-628-903046-9011 Black: 22-628-903046-9010
Bottom Trim Kit	White: 22-628-903068-9011 Black: 22-628-903068-9010
Rear Top Filler Kit	White: 22-628-901193-9011 Black: 22-628-901193-9010
Warranty	
1-Year Limited Warranty – Entire Appliance	Parts & Labor

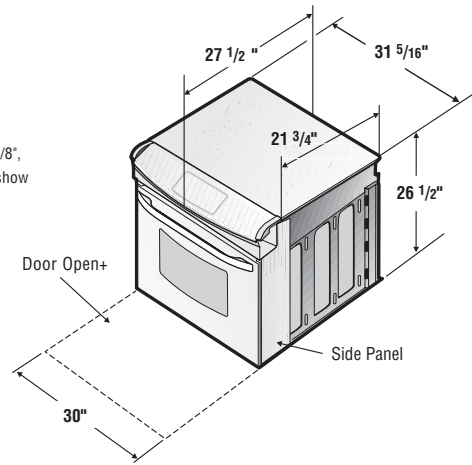
If used for other than private family purposes, warranty applies for only 90 days.

*Sabbath Mode overrides auto oven shutoff

†Always consult local and national electrical codes



††For cutouts below 22 7/8", appliance will slightly show out of the cabinet.



COUNTERTOP PREPARATION

The cooktop sides of the range fit over the cutout edge of your countertop. **Countertop must be level.** If you have a **square finish (flat) countertop**, no countertop preparation is required. Cooktop sides lay directly on edge of countertop.

Formed front-edged countertops must have molded edge shaved flat 3/4" from each front corner of opening.

Tile countertops may need trim cut back 3/4" from each front corner and/or rounded edge flattened.

If the existing cutout width is greater than 30 1/16", reduce the 3/4" dimension.

Do not pinch the power supply cord between the range and the wall.

Do not seal the range to the side cabinets.

***Note:** 24" min. clearance between the cooktop and the bottom of the cabinets when the bottom of the wood or metal cabinet is protected by not less than 1/4" flame retardant millboard covered with not less than No. 28 MSG sheet metal, 0.015" stainless steel, 0.024" aluminum, or 0.020" copper. 30" min. clearance for all other slide-in ranges when the cabinet is unprotected.

****Note:** Minimum cutout is increased to 24" with optional backguard.

†Note: To avoid cooktop glass breakage for cutout with more than 30 1/16", make sure appliance is centered in the counter opening while pushing it in.

+Allow at least 20" clearance for door depth when it is open.

