

Fig. 5

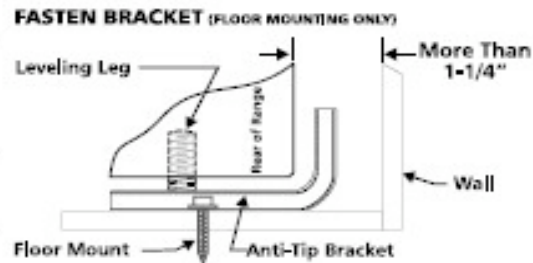


Fig. 6

- Proper range installation requires the attachment of a range anti-tip device.
- The device typically attaches to the bottom of the wall behind the range or floor using two (2) screws (Fig. 5/Fig. 6).
- Device engagement is made when the range rear leg slides into the slot in the device (Fig 7).
- Installation of the range anti-tip device will vary based on range model and device design.

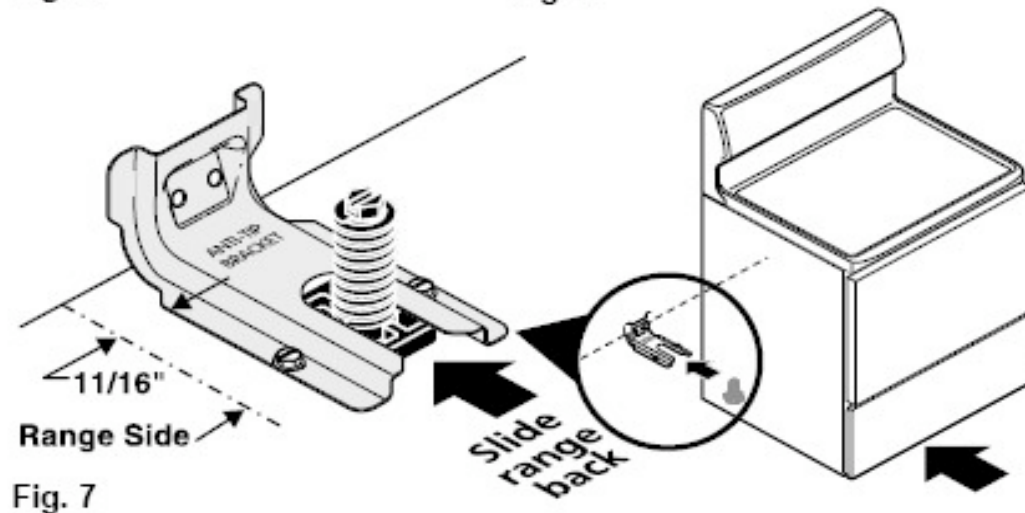


Fig. 7

## Range Anti-Tip Device

Cooking ranges can tilt forward when too much pressure is applied to an open oven door. This can result in injury from a tipped range or from hot food/liquids falling from the range top.

For added protection against range tipping incidents, a manufacturer supplied range anti-tip device shall be installed on the floor or wall. The range anti-tip device secures the range to the floor and/or wall and prevents the range from tipping forward.