

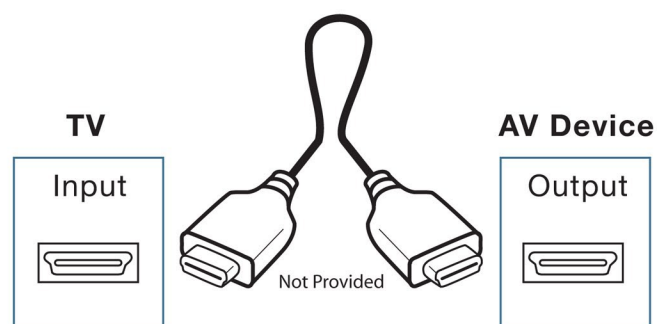
Simple Steps for Connecting Your LCD TV to A/V Devices

- A/V Devices include:**
- VCRs • DVD players • Game consoles
 - Cable, satellite, or set-top boxes
- * Your A/V devices may not have all of the following connections.

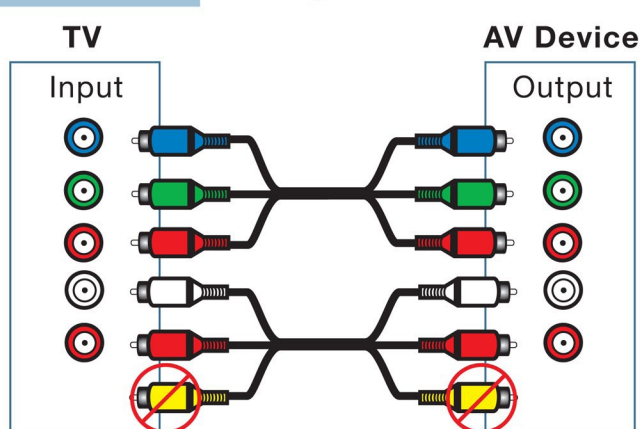
Widescreen LCD Television Quick Start Guide



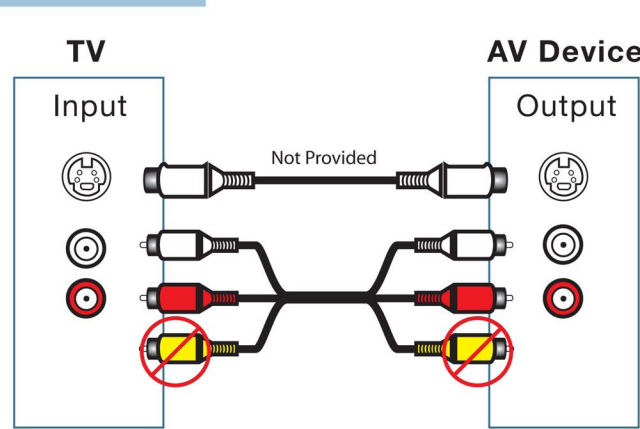
BEST CONNECTION HDMI



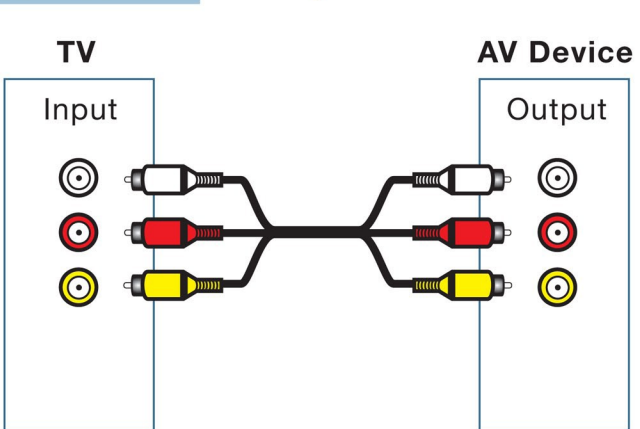
EXCELLENT CONNECTION Component



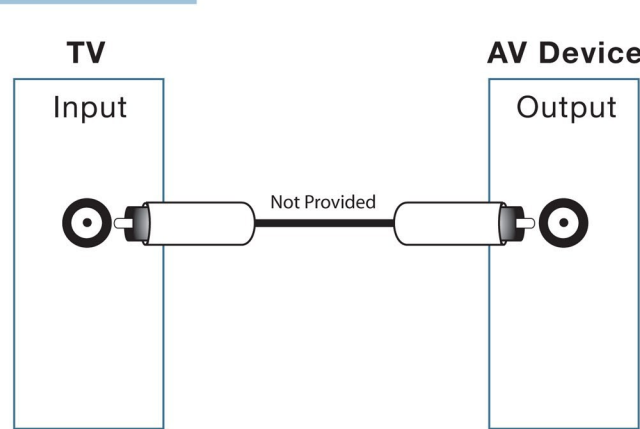
VERY GOOD CONNECTION S-Video



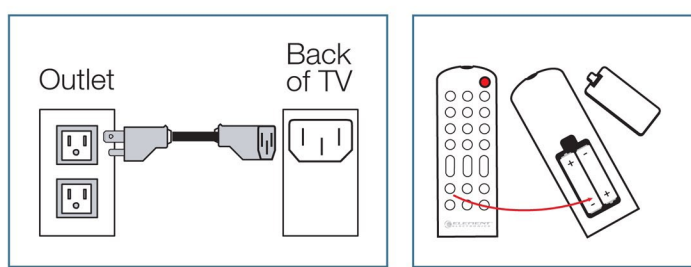
GOOD CONNECTION Composite



BASIC CONNECTION RF Cable/Antenna



Connect Power Cord and Install Batteries in Remote Control



Program Your TV

- Press **TV** (if you have universal remote control)
- Press **Power** on remote control
- Press **Input/Source**
- Select proper AV source
- Press **OK**
- Exit the Menu and start enjoying your new TV!

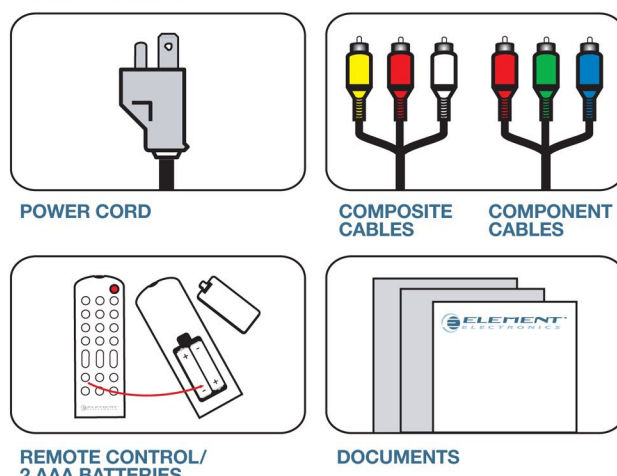
More Detail for Connecting Your LCD TV to A/V Devices

- A/V Devices include:**
- VCRs • DVD players • Game consoles
 - Cable, satellite, or set-top boxes
- * Your A/V devices may not have all of the following connections.

Widescreen LCD Television Quick Start Guide

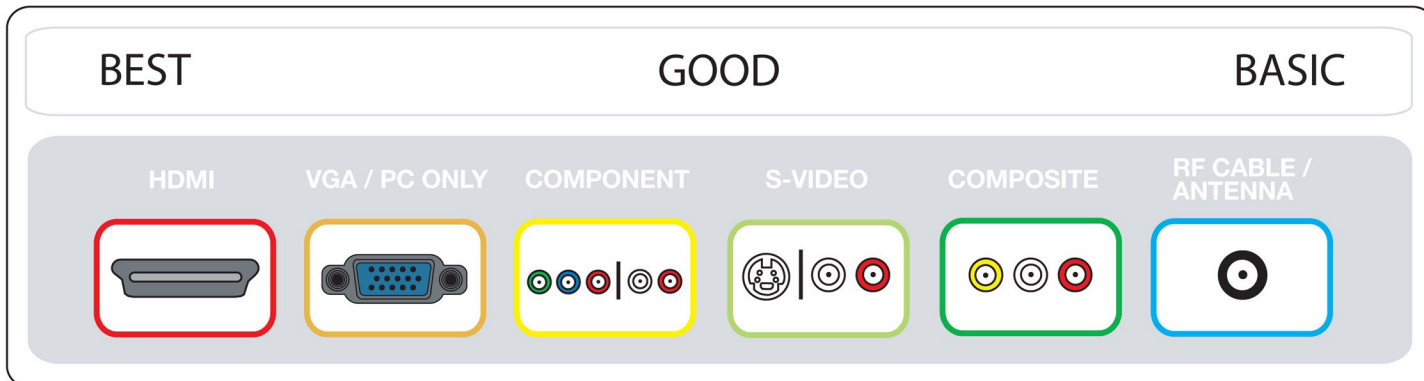


CONTENTS



THE BEST CONNECTION

We highly recommend you use the HDMI input whenever possible to receive an incredible High Definition picture. Please keep in mind, however, that not all A/V devices are capable of this type of connection. For the best viewing experience, connect your Element TV to an HD digital cable/ satellite box, HD DVD player and/or other HD A/V device using the HDMI connection. Make sure your external A/V devices are set to output an HDMI signal. Consult you're A/V device's User's Manual for instructions on how to output an HDMI signal.



CONNECTION MAP

